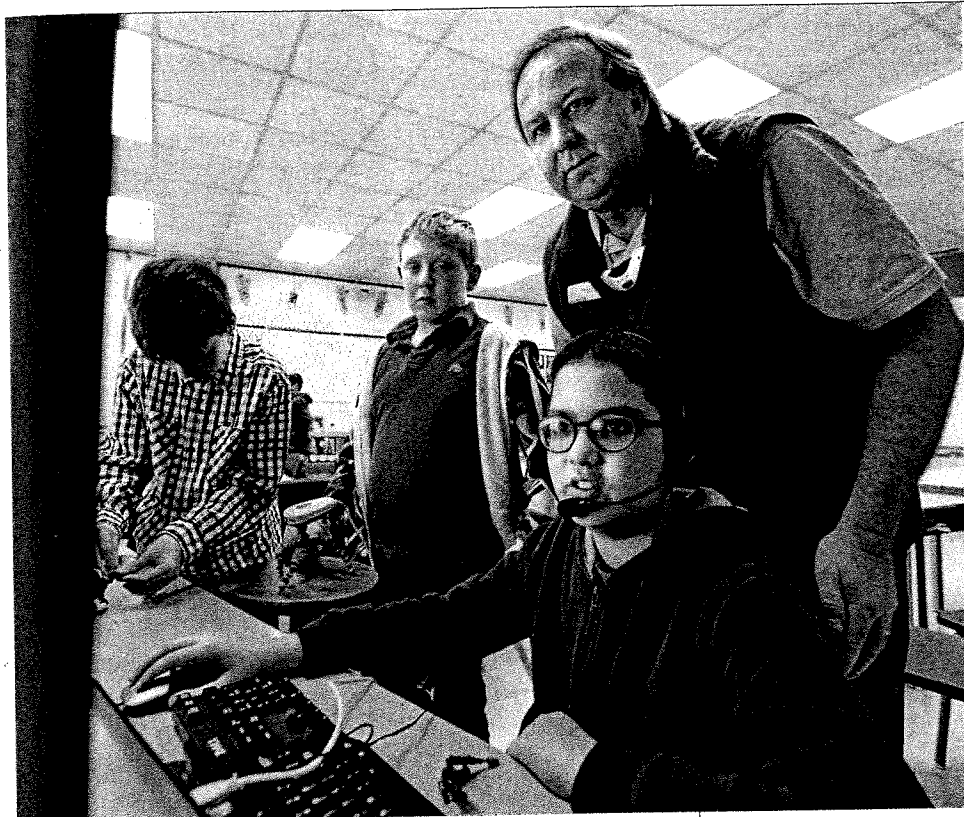


Central Purpose Activity

Around the class, there are stations with different informational texts. Look under the name of selection to make sure you have the right article. Fill out the following table about that piece of text.

<u>Name of Selection</u>	<u>What is the Central Purpose of this Passage?</u>	<u>What did the author hope to accomplish by writing this selection?</u>	<u>Choose the statement that is most important</u>
Cover Story: How to inspire boys			
Top 5 most Popular guns and why			
Black Friday comes to Canada			
Twinkies are no more			
Environment Canada Weather Warning			
Bumboo Voluntary Recall			
Sundvik			



Kent Manning, OCT

Grade 6
Harmony Public School
Corbyville

“It’s not quiet. It’s noisy. Boys usually like to have mayhem.”

PROBLEM

How to inspire boys, especially problem students, to actually want to write.

SOLUTION

Hide the writing in projects to create stop-motion animated movies.

LESSONS LEARNED

“The data shows there’s an incredible gender gap with writing,” Manning says, but adds that boys will perform if teachers provide classroom experiences that motivate them. His stop-motion projects have had tremendous success with previously unengaged students. They’re inspired to work hard, developing and expressing story-writing skills.

Students form groups, collaborate on writing an original story, plan how to present it using storyboarding, then bring toys from home — cars, figurines and so on — as props and characters, and use a webcam and Ministry-licensed Frames software to produce movies. “These are budding Tim Burtons,” Manning says.

While the final product may not be text, writing a script is still writing, he points out. Projects require language skills and a grasp of beginning-middle-end story structure, so meet curriculum objectives.

OBSERVATIONS

Manning, a board ed-tech consultant at the time, first experimented with introducing media production to

motivate boys a few years ago. It worked: Boys’ writing-test results rose; office referrals fell.

Anecdotal evidence is compelling too. This year, one boy in an Autism Intervention Program who had struggled with other writing assignments became so enthused that he asked to do extra stop-motion assignments. “That’s just music to my ears,” Manning says.

YOU CAN DO IT TOO

You’ll need

- one classroom computer (Intel® Core™ Duo 1GHz+, Windows XP or Mac OS 10.5 and up)
- Frames software (free)
- a webcam or camcorder that can connect to a computer
- a clear tabletop for building movie sets

Steps

- Check that Frames is on your classroom computer and familiarize yourself with it.
- Visit tech4learning.com/frames/resources and read primers on clay animation and digital storytelling.
- Form students into groups or, if you prefer, let them form their own.
- Allow one period for groups to develop stories and project proposals (see sample form at tech4learning site).
- Allow at least one period for each green-lighted group to produce its movie.

Helpful hints

Be prepared for disruption during video production, especially with boys. “It’s not quiet,” Manning warns. “It’s noisy. Boys usually like to have mayhem.”

Top 5 Most Popular Guns - and Why

by William Harris

The Second Amendment to the U.S. Constitution gives all citizens the right to keep and bear arms. If data from the Bureau of Justice Statistics are any indication, many Americans are exercising this freedom. Nationally, 42 percent of people responding to a 2008 survey reported having a gun in their home. That's up from 36 percent in 1999, when gun ownership reached an all-time low.

Among gun owners, 58 percent own pistols, 63 percent own shotguns and 59 percent own rifles [source: Bureau of Justice Statistics, 2003, 2008]. The sales data paint a slightly different picture. According to the National Shooting Sports Foundation, a third of all gun sales can be attributed to handguns (such as revolvers and pistols), a third to rifles and shotguns, and a third to ammunition.

Unfortunately, these statistics don't drill down to specific models. The U.S. Bureau of Alcohol, Tobacco, Firearms and Explosives (ATF) offers some insights with its firearms manufacturing and export reports, which tally the number of guns produced by U.S. manufacturers each year. But production levels don't tell the whole story. For example, some custom gun makers may produce fewer than 20 weapons a year, yet their products stir intense customer loyalty.

Still, it's this article's job to present the five most popular guns in civilian hands. To facilitate the task, we made our final selections using several criteria, including manufacturing data, historical significance and anecdotal information from gun sites and enthusiasts. We also considered guns across five major small arms categories -- muzzleloaders, shotguns, rifles, revolvers and pistols. We won't discuss machine guns and other fully automatic assault rifles, which are heavily regulated and not generally considered civilian-friendly weapons.

Let's start with a throwback.

5. Thompson/Center Arms Encore Muzzleloading Rifle

Muzzleloaders receive a bullet and propellant -- gunpowder -- through the muzzle, rather than through the breech, as is the case with modern firearms. Think of the long-barreled Springfield M1855 used during the American Civil War, and you'll get the idea. In fact, many still regard Springfield rifle-muskets as some of the finest weapons ever made.

Repeaters, such as the lever-action Spencer and Henry rifles, gradually replaced muzzleloaders in the late 1800s. They were in turn usurped by more advanced bolt-action rifles of World War I. For many years, few people beyond gun collectors and reenactors sought out muzzleloaders. But two recent trends have renewed interest in this traditional gun. The first is the addition of primitive-weapons-only seasons in regions where whitetail deer populations have soared. The second is the introduction of improved rifle designs.

The inline muzzleloader defines the modern form of this firearm. Inline refers to the igniter, which sits directly behind the powder charge. Because the igniter and the charge are lined up, ignition is more efficient, and the explosion propelling the cartridge has more energy. More important, the ignition systems of inline muzzleloaders aren't exposed to the elements, eliminating the constant worry to "keep the powder dry."

Thompson/Center Arms offers a full line of inline muzzleloaders and accessories. Many hunters and sportsmen consider its Encore 209x50 Magnum to be the most versatile muzzleloader available today. The Encore has a 26-inch barrel and produces a muzzle velocity of 2,203 feet (671 meters) per second, giving it stopping power out to 200 yards (183 meters).

The next gun on our list doesn't have the same range, but that doesn't diminish its popularity or its usefulness.

4. Remington Model 870 Pump-Action Shotgun

Unlike rifles, which have grooves cut into the inside of their barrels, shotguns are smoothbore firearms. This design makes it possible to shoot multiple projectiles, most often large pellets (buckshot) or small beads (birdshot), in a conical spray that can be devastating at close range. Shotguns can even fire less lethal rounds, such as rock salt or miniature tear gas grenades, to help control crowds.

Flintlock shotguns were popular in the 18th century. The blunderbuss, a shotgun with a flared muzzle, was a favorite among coachmen who needed to repel highway bandits. Coachmen also made good use of the "coach pistol," which resembles today's sawed-off shotgun. But the real coming of age for shotguns came in the 1880s, when gun makers introduced pump-action models. Pump-action shotguns have a tubular magazine under the barrel that holds six or seven rounds. The user simply slides the forestock to chamber a new round.

Remington introduced the Model 870 in 1950, and it has since become the best-selling shotgun of any type in history. More than 10 million 870s have rolled off Remington's production lines into the hands of hunters, sportsmen, law enforcement officers and soldiers [source: Remington]. Every Model 870 shotgun features a receiver milled from a solid billet of steel. This increases the weapon's strength and durability and does much to bolster its reputation for quality and reliability, even in the harshest conditions.

Up next, we've got another wildly popular firearm -- this one a semiautomatic rifle related to a military standard.

3. Bushmaster AR-15 Semiautomatic Rifle

The AR-15, which designates a rifle platform, not a specific manufacturer's model, remains a controversial weapon. Why? Many people mistakenly believe that "AR" stands for "assault rifle." In reality, the AR-15 is a semiautomatic rifle, which means it fires one round with each pull of the trigger. True assault rifles are fully automatic

weapons, such as machine guns, that have been primarily restricted from civilian ownership since 1934.

The "AR" actually stands for "Armalite rifle," the company that invented the design in the 1950s. Armalite's chief engineer, Eugene Stoner, sought to develop a revolutionary weapon, one that was lighter and offered less recoil. His early efforts resulted in the AR-10, which weighed less than 7 pounds (3 kilograms). U.S. Army officials asked Armalite to downsize the AR-10 in 1956, leading to the AR-15.

The military didn't show immediate interest, so Armalite sold the patents and designs for the AR-10 and AR-15 to Colt. Colt took the basic design and tweaked it to manufacture the M16, the primary weapon used by service personnel during the Vietnam War and beyond. But other manufacturers, including Bushmaster, began to produce civilian versions.

Today, Bushmaster remains one of the top sellers of rifles based on the AR-15 platform, and its Predator model stands as the typical form of the weapon. The 5.56 mm Predator features a 20-inch barrel and takes a five-round magazine that's legal for hunting in most states. Hunters favor it because it's easy to carry and highly accurate. With that said, many gun enthusiasts also like AR-15 models from manufacturers such as DPMS Firearms and Stag Arms.

Next, we're going to lay down our rifle and pick up a classic handgun.

2. The Top Six Six-Shooters

Smith & Wesson has been the leading revolver manufacturer for decades. In 2007 alone, it produced 196,255 pieces. Almost half were .38-caliber guns similar to the Model 10. Here are the top six revolver manufacturers in the United States:

When most people form a mental image of a gun, they see a revolver. And for good reason: Since the 1800s, millions of these simple, rugged, easy-to-use weapons have been used by pioneers, gunslingers, soldiers, police officers, homeowners and, of course, criminals. Over the years, the basic design of revolvers has changed little. They have a cylinder containing multiple chambers, each of which holds a round. When the trigger is pulled, the cylinder rotates and a new chamber lines up with the barrel. In single-action varieties, the user must manually cock the hammer before firing. In double-action varieties, the user pulls the trigger to rotate the cylinder and draw the hammer back to a cocked position.

Samuel Colt put the revolver on the map. During the Civil War, his new company produced 100,000 revolvers -- the M1860 Army Colt and the M1861 Navy Colt -- for both Union and Confederate troops. After the war, the Colt Peacemaker, more properly known as the Colt M1873, became the symbol of frontier life, westward expansion and outlaw justice.

It didn't take long for competitors to enter the market. Remington also sold large numbers of revolvers during the Civil War. But the gun maker that would take six-

shooters to a whole new level was Smith & Wesson. The company made its first revolver in 1857 and never looked back. The Model 10 has been the anchor of the S&W product line since 1899. Also known as the Military and Police Model, the Model 10 fires .38-caliber rounds through a 4-inch barrel. Smaller models, known as J-frame revolvers, are also popular. Smith & Wesson introduced the first J-frame, the Model 36 or "Chiefs Special," in 1950. These guns, with little argument, are some of the most recognizable in the history of firearms.

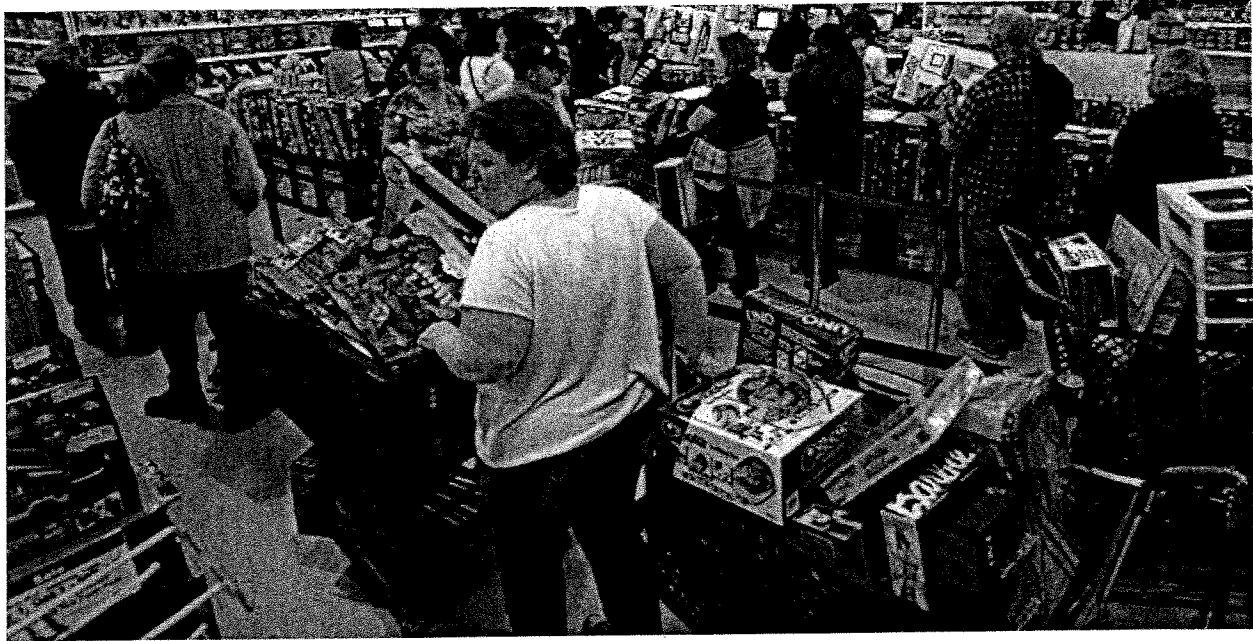
Up next is the most recognizable semiautomatic pistol.

1. Colt M1911

Although revolvers functioned admirably, military personnel and gun enthusiasts wanted more. In particular, they wanted two things: revolvers couldn't deliver -- faster reloading and greater capacity. Gun engineers designed the pistol to accommodate both of these requirements. A pistol is a semiautomatic handgun with a magazine that slides into the grip. It also tends to be lighter and more compact than a revolver. When a pistol is fired, some of the energy is used to eject the spent cartridge and load a fresh one from the magazine. The magazine commonly holds seven to nine rounds, but some current models hold 17, 19 or even 33 rounds. Many of the early semiautomatic pistols came chambered for .38-caliber cartridges, but in battle, officers complained of the .38's inadequate stopping power. Enter John Browning. Browning already had a reputation as an innovative gun maker when he set out to improve the semiautomatic pistol, but his .45-caliber design for Colt set a new standard. It came with a seven-round detachable box magazine and performed flawlessly in any condition. The U.S. Army adopted Browning's new pistol in 1911 and designated it the M1911. It remained the standard U.S. military sidearm until the 1990s, when it was replaced by the 9 mm Beretta.

Even with its removal as the standard sidearm for U.S. armed forces, the M1911 remains popular, especially with civilians who participate in competitive shooting. Several companies continue to manufacture M1911-type models, and they all sell well. Many consider it to be the finest handgun -- and perhaps the finest gun -- ever made.

Black Friday comes to Canada with the hope shoppers will wake up early to spend



Black Friday shoppers wait in the check-out line over an hour, after waiting in line to get in and then fighting huge crowds at the Toys-R-Us store at the Fair Lakes Shopping Center in Fairfax, Virginia, November 24, 2011 where the store had big discounted prices for Black Friday. The Toy-R-Us opened up at 9:00pm on Thanksgiving Day. Other people camped out to be first in line ; the line of customers went down the street with local police supervising the huge crowd. AFP PHOTO Paul J. Richards

Marc Weisblott
Published: November 5, 2012, 9:30 am

Ontario shoppers planning an early-morning border crossing the day after American Thanksgiving will find Canadian stores waiting for them to take a detour along the way.

Cadillac Fairview has announced nine of its malls will open at 7 a.m. or earlier on Friday, Nov. 23. In the Toronto area, they will be: Fairview Mall, the Shops at Don Mills, Sherway Gardens, Markville and the Promenade Mall. In Kitchener, Fairview Park will open early along with Masonville in London and Limeridge in Hamilton — even though it's a regular workday for all Canadians.

Toronto Eaton Centre, meanwhile, will attempt to snag U.S. tourists staying downtown by starting its Black Friday at 6 a.m.

The move is unusual for Canada, where early-morning shoppers have traditionally waited for the big Boxing Day sales.

But retailers in this country are testing a number of strategies to keep their business from not only going to lower-priced stateside outlets — where the dollar value is almost certain to be at par — but also the growing number of options online.

Mattel has announced that it will offer Canada's first pop-up toy shopping experience that takes advantage of the virtual shopping platform provided by Walmart. Shoppers in Toronto's underground PATH will be able to use QR codes to scan the Barbie doll or Hot Wheels car they want delivered to their door.

Meanwhile, national retailers dedicated to products whose competition is particularly heated online have lined up new sales strategies for this holiday season.

HMV Canada's new campaign, "It's What They Want," will attempt to lure shoppers who might buy physical media for someone else — if not themselves. A new "Price Beat Promise" from Future Shop encourages customers to surf around for a bargain and then come into the store to instantly get the item for 10% less.

Can the concurrent promises of lower prices and spontaneous Black Friday deals get shoppers through the door? The business of retail real estate is placing bets.

Because, if Canadians can't find what they want in-store, there's always the prospect of online bargains on the day after the American Thanksgiving weekend — now popularly known across the continent as Cyber Monday.

Twinkies are no more. Civilization as I know it has come to an end.



The 82-year-old snack cake will no longer be available following the bankruptcy and closure of Hostess in the U.S. But, this smug Canadian was buoyed by the realization that many Hostess products are manufactured in Canada by Saputo. Whew! This means I can still lay my hands on the delightfully mushy white Wonderbread.

But, alas, my relief was short lived and shock set in when I learned that Saputo does NOT manufacture Twinkies.

The horror.

I quickly tried to jump on the hoarding bandwagon, but my slow start meant I found grocery shelves already stripped of every box of Twinkies. I did manage to snag a dozen Hostess chocolate cupcakes, but they are hardly a substitution for the gourmet delight of that little golden cake with cream filling.

I even tried to reach the fiancé, Bruce Kirkland, who was away in New York on business. Surely that bustling metropolis would have a plethora of the spongy golden snack cake that he could spirit back to Canada. No such luck. Even Manhattan had been gripped by Twinkie madness.

My kitty, Leia, mourns with me. Twinkies are the human food she loves the most. I discovered that fact when she came running one day at the crinkle crinkle sound of freeing a Twinkie from its cellophane package. You don't know joy until you've seen Miss Kitty Fantastico lick some of the cream filling off of her nose.

Now, all I have left is my quirky, wonderfully weird Twinkies Cookbook, a gift from my sister for Christmas five years ago. Published by Hostess in 2006, it contains such gems as Twinkie Sushi (don't ask), Twinkies in a blanket (pork sausages are on the list of ingredients) and the ever-enticing, chicken raspberry Twinkie salad. No, I'm not making this up. And if you're holding your nose, you clearly have not embraced the fact that Twinkies make everything awesome.

And, oh, what of the Ribbons and Bows Twinkie wedding cake on page 46, which I secretly dreamed of unveiling to the guests at our upcoming spring nuptials? (I would have told the finace... Eventually.)

According to my cookbook, Twinkies were born in 1930, the brainchild of American baker James A. Dewar. One must imagine that, in the throes of the Great Depression, Twinkies made the world a little bit sweeter. It's ironic now that, during another economic downturn that has been likened to the Great Depression, we are seeing the Twinkie's demise.

In the Great Depression, the siren call became: "Buddy, can you spare a dime?"

I now say to you: "Buddy, can you send me a Twinkie?"

Environment Canada's Official Weather Warnings

[Public Warnings](#)

[Marine Warnings](#)

[Special Weather Statements](#)

Warnings

Rankin Region including Whale Cove
9:08 AM CST Monday 19 November 2012

Snowfall warning for Rankin Region including Whale Cove continued

Heavy snowfall today.

A low pressure system approaching from Northern Saskatchewan will move into the Kivalliq today bringing with it snow and blowing snow.

The heavy snow will begin falling this morning, and southeast winds will strengthen to as high as 60 gusting 80 km/h. A total of 10 to 20 cm of snow is expected by tonight, with the highest accumulations at Baker Lake and Chesterfield Inlet.

At Baker Lake and Chesterfield Inlet, this combination of falling snow and strong winds will cause blizzard conditions today, with visibilities of 400 metres to as low as zero at times in snow and blowing snow. The blizzard will end this evening.

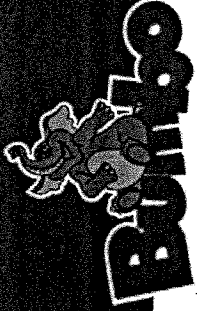
At Rankin Inlet, the strongest winds will not last quite as long, and slightly less snow is expected which may also at times be mixed with ice pellets. As a result, a blizzard is less likely than farther north, although occasional reduced visibilities in blowing snow are still likely at times. Thus a snowfall warning is in effect for that area.

[RSS](#)

Warnings
Current Conditions & Forecasts
Radar & Satellite
Marine Info
Air Quality
Aviation Weather
Analyses & Modelling
Text Bulletins
Historical Weather
Educational Resources
About Us
FAQ
Links
Site Map

[Proactive Disclosure](#)





Voluntary Recall Information

Bumbo® Baby Seat

August 15, 2012 – Bumbo International Trust is conducting a voluntary recall to add a restraint belt and new warnings to the Bumbo® Baby Seat. Infants can maneuver out of or fall from the seat, posing a risk of serious injuries. Working closely with the Health Canada, Bumbo has determined that the potential safety issue can be readily corrected in the home by adding a restraint belt. In addition, Bumbo is providing a new warning sticker for consumers to attach to the seat to re-emphasize existing warnings against use of the seat on any raised surfaces.

Consumers should stop using their Bumbo Baby Seats immediately, and complete the order form to obtain a free Repair Kit. The kit includes a belt with a new warning sticker, installation instructions, proper use instructions and a new warning sticker. There is no need for consumers to return the Bumbo Baby Seats.

Consumers should take the following actions in conjunction with this voluntary recall:

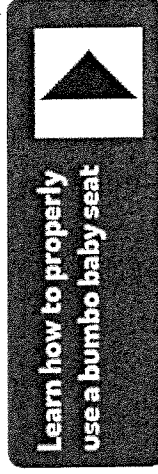
- Install and always use the restraint belt.
- Apply the new warning sticker over the existing warning on the back of the Bumbo Baby Seat.
- Follow all usage instructions and never use the Bumbo Baby Seat on any raised surface.

Step 1 - Determine if your product is included in the voluntary recall.

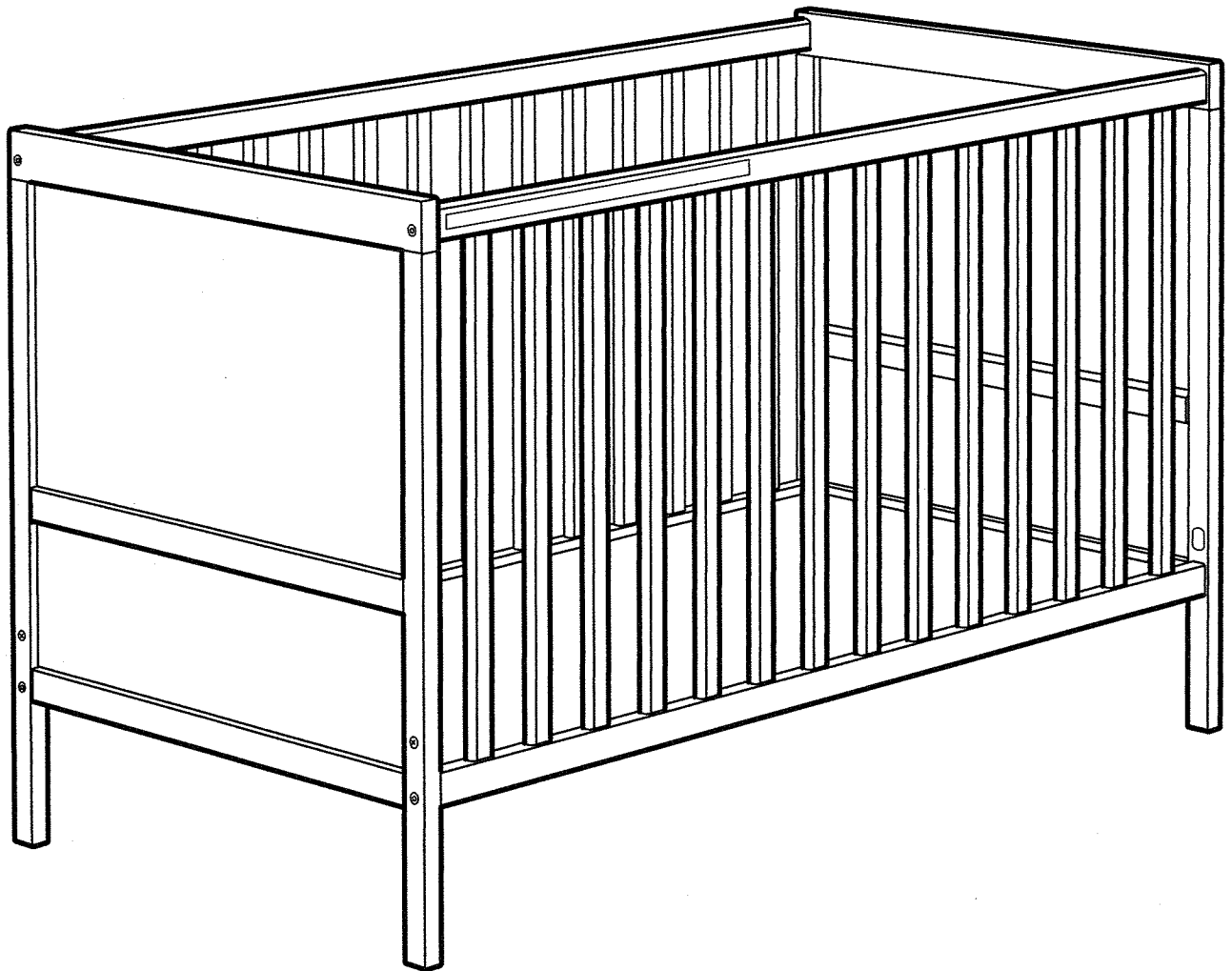
Answers to frequently asked questions

Installation instructions

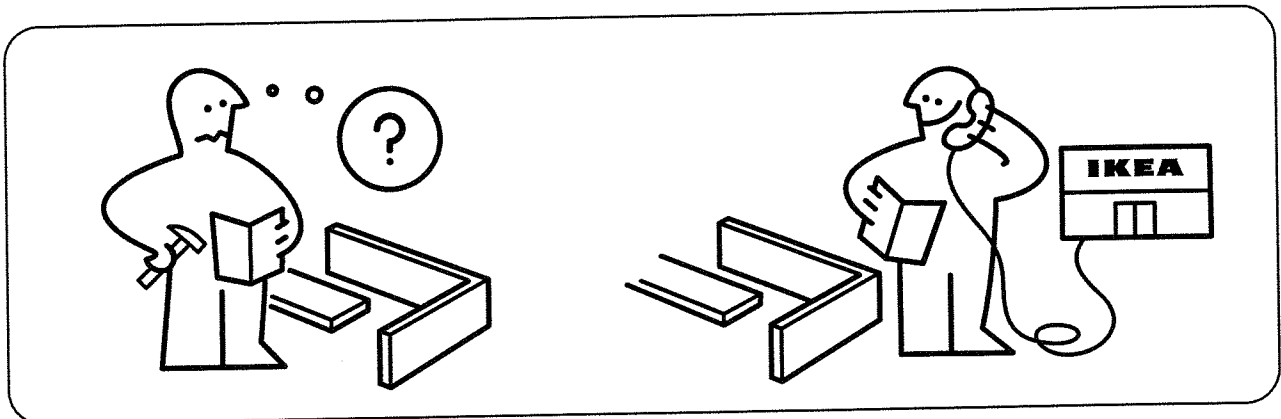
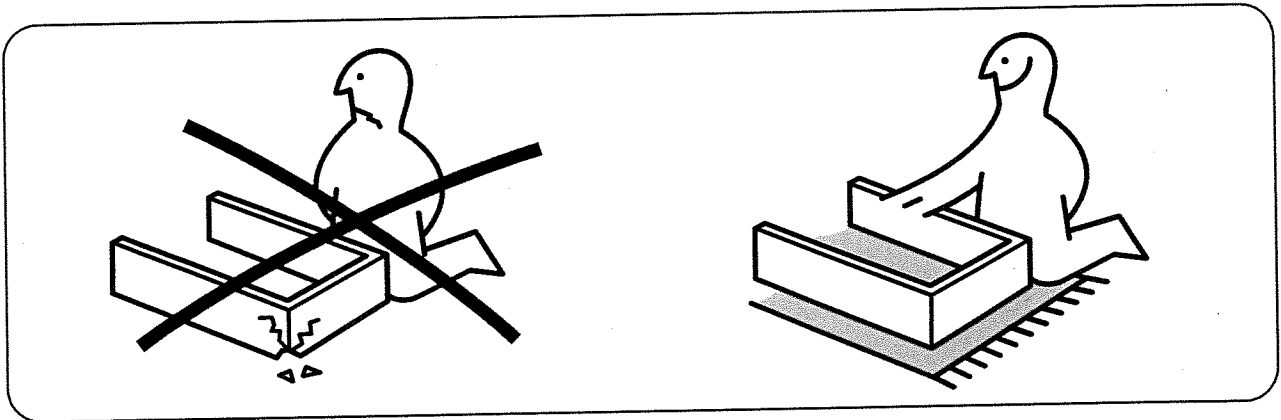
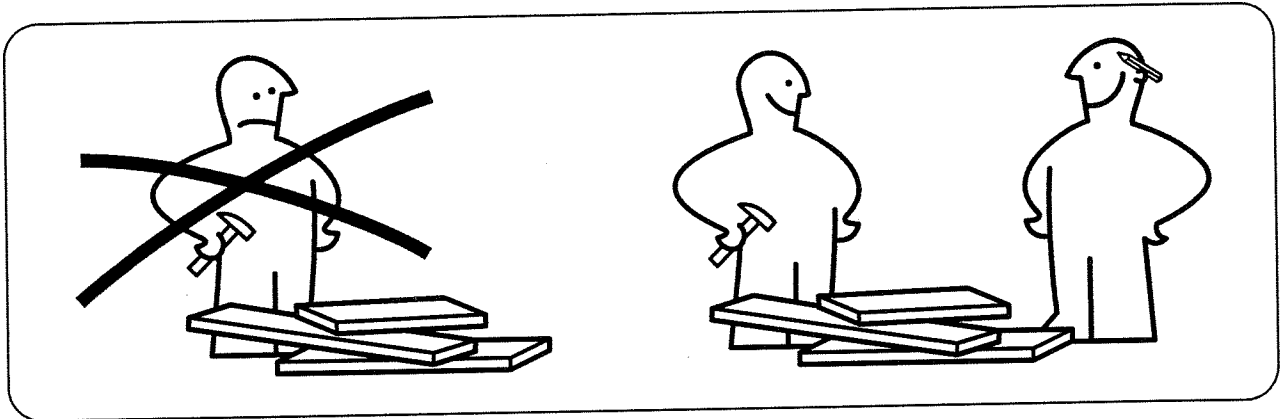
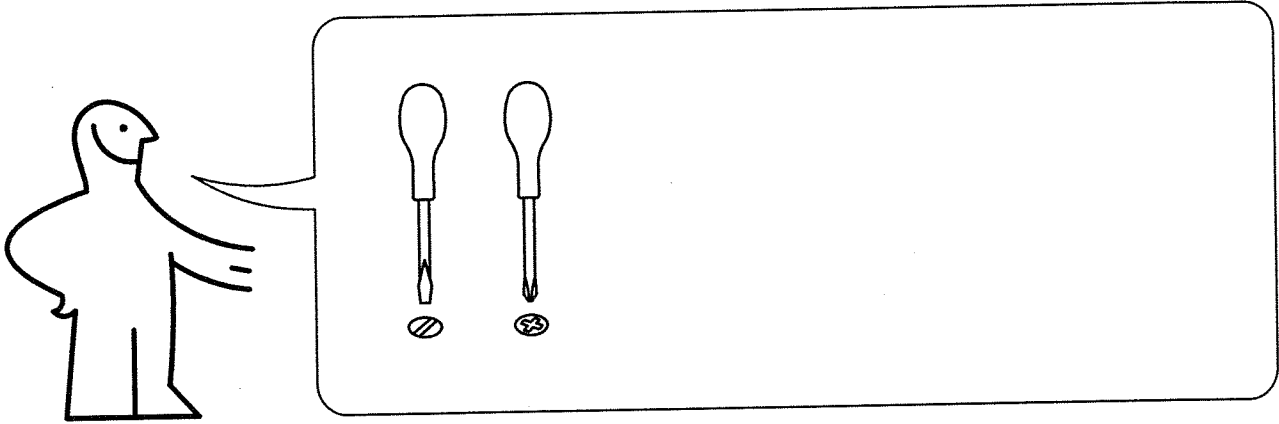
Recall Notice

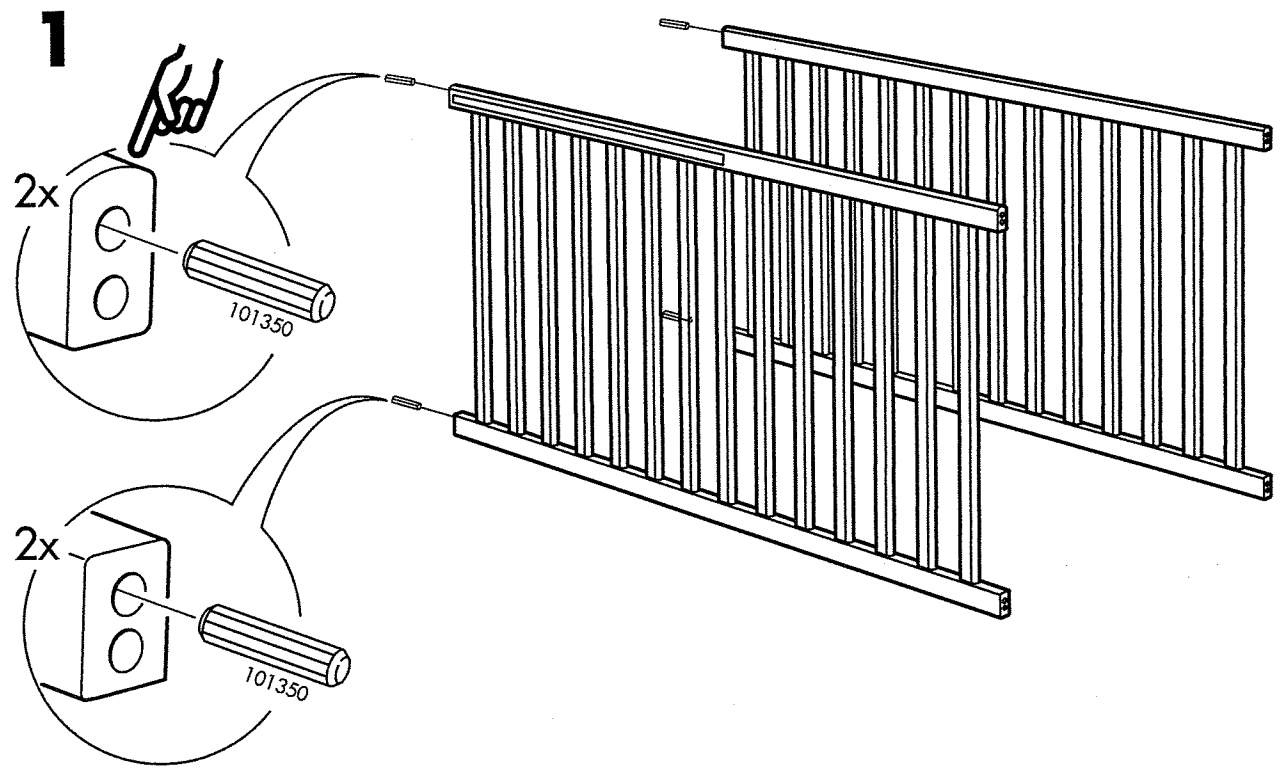
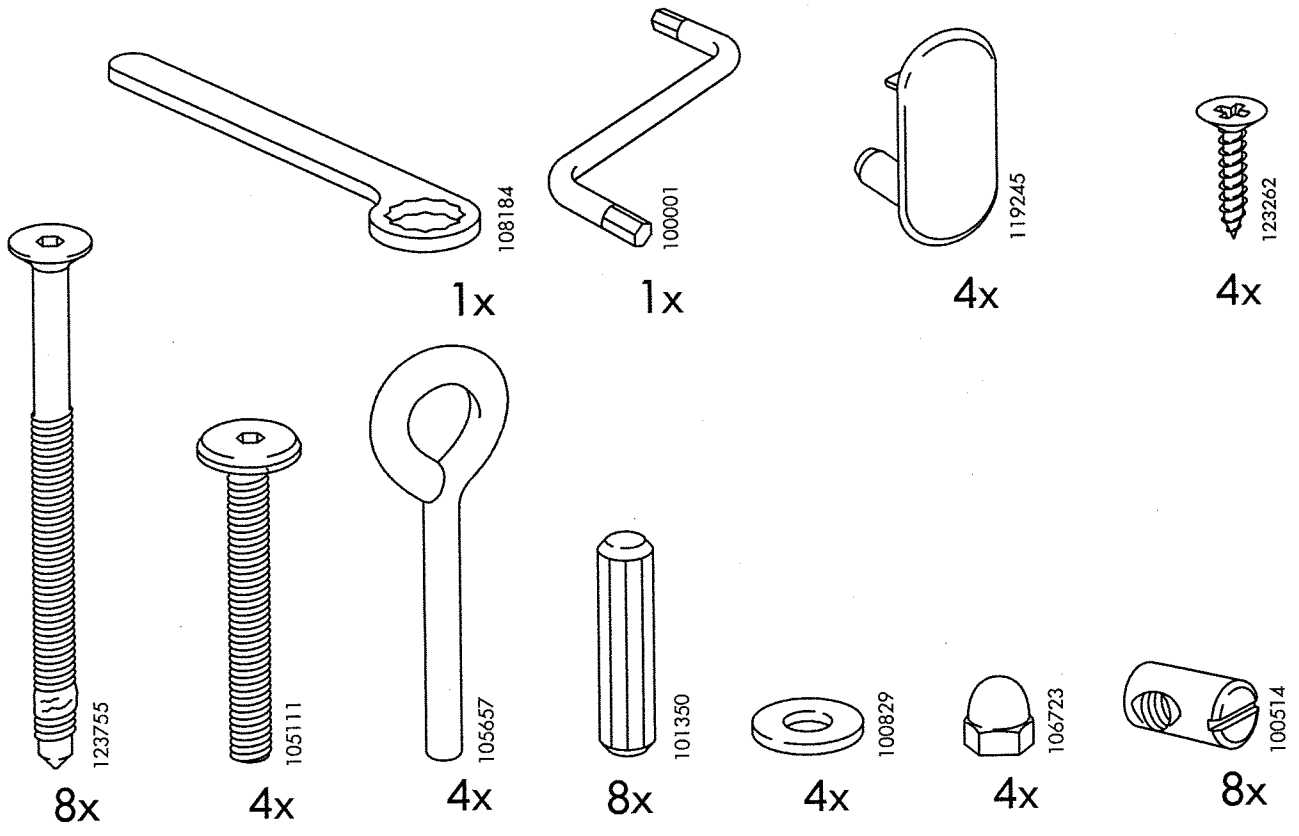


SUNDEVIK

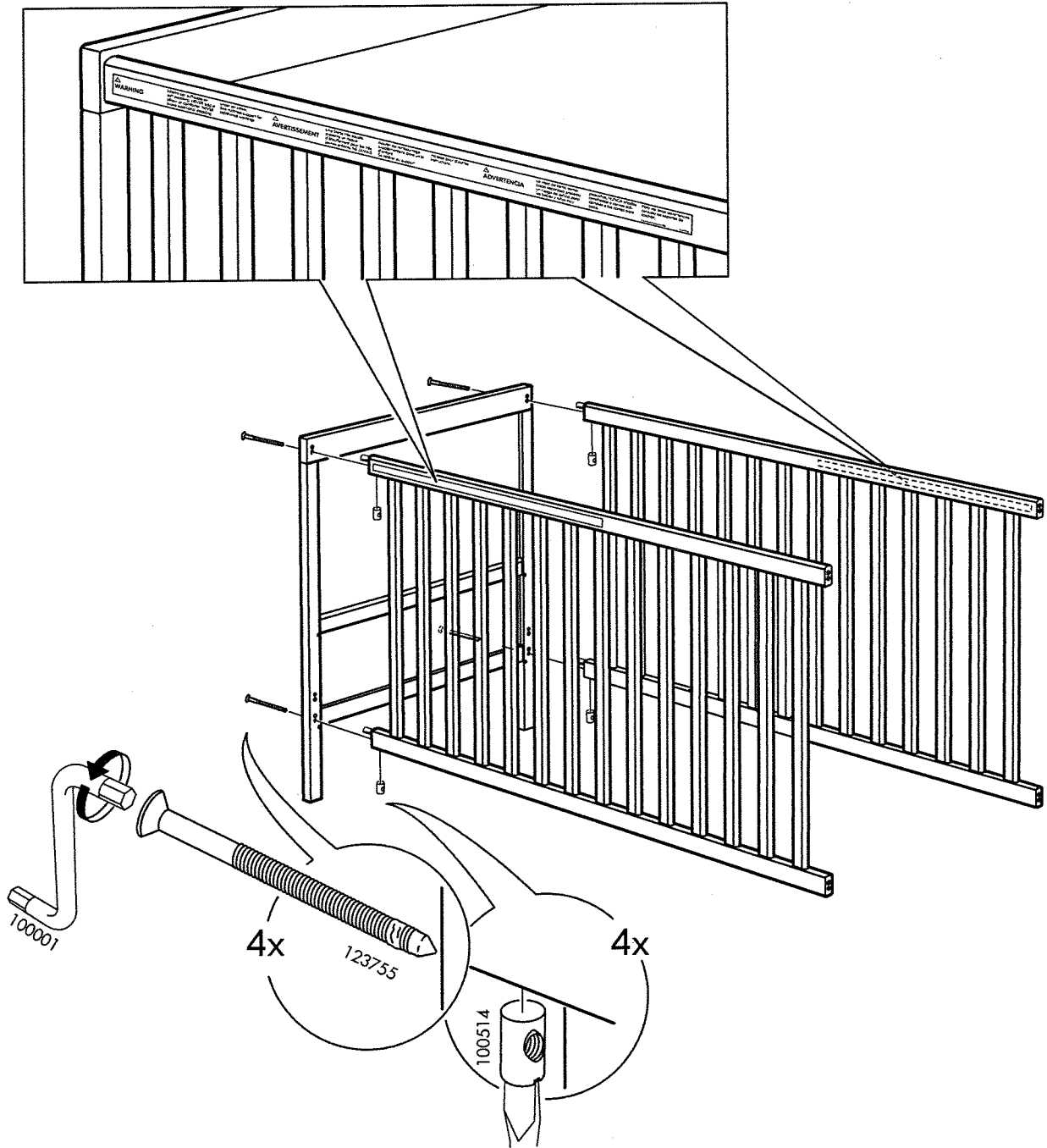


Design and Quality
IKEA of Sweden

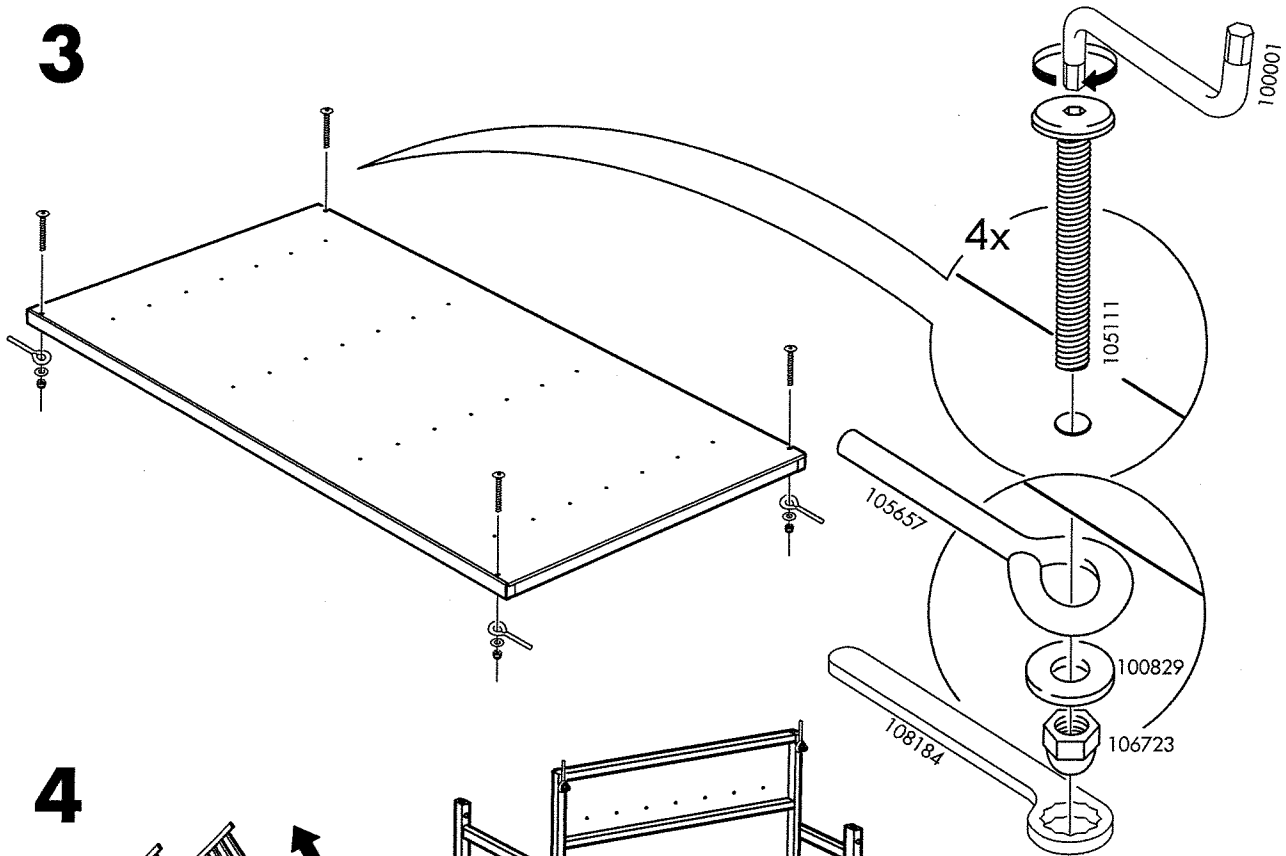




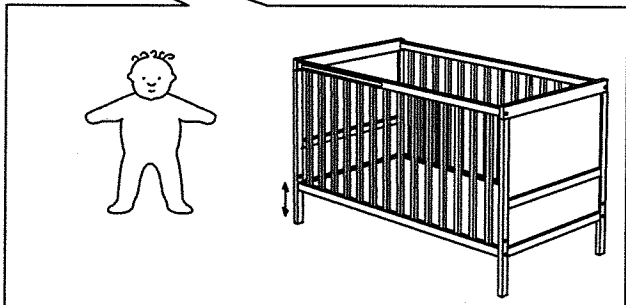
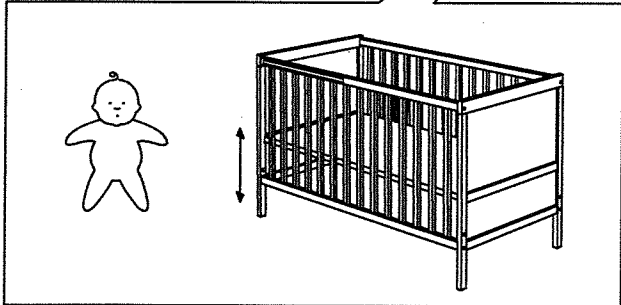
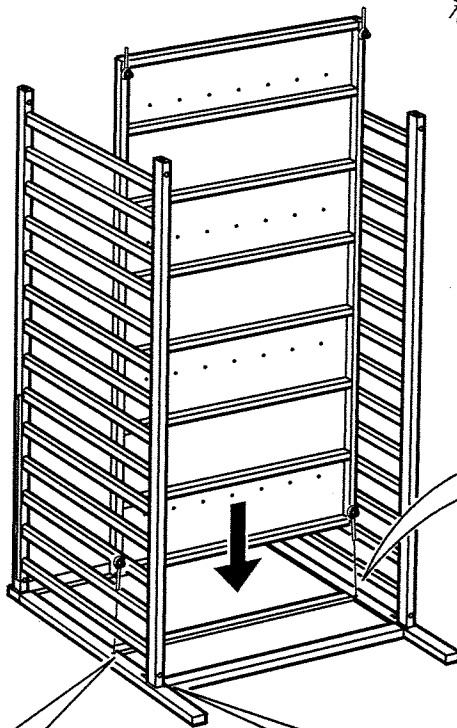
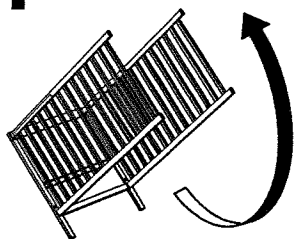
2



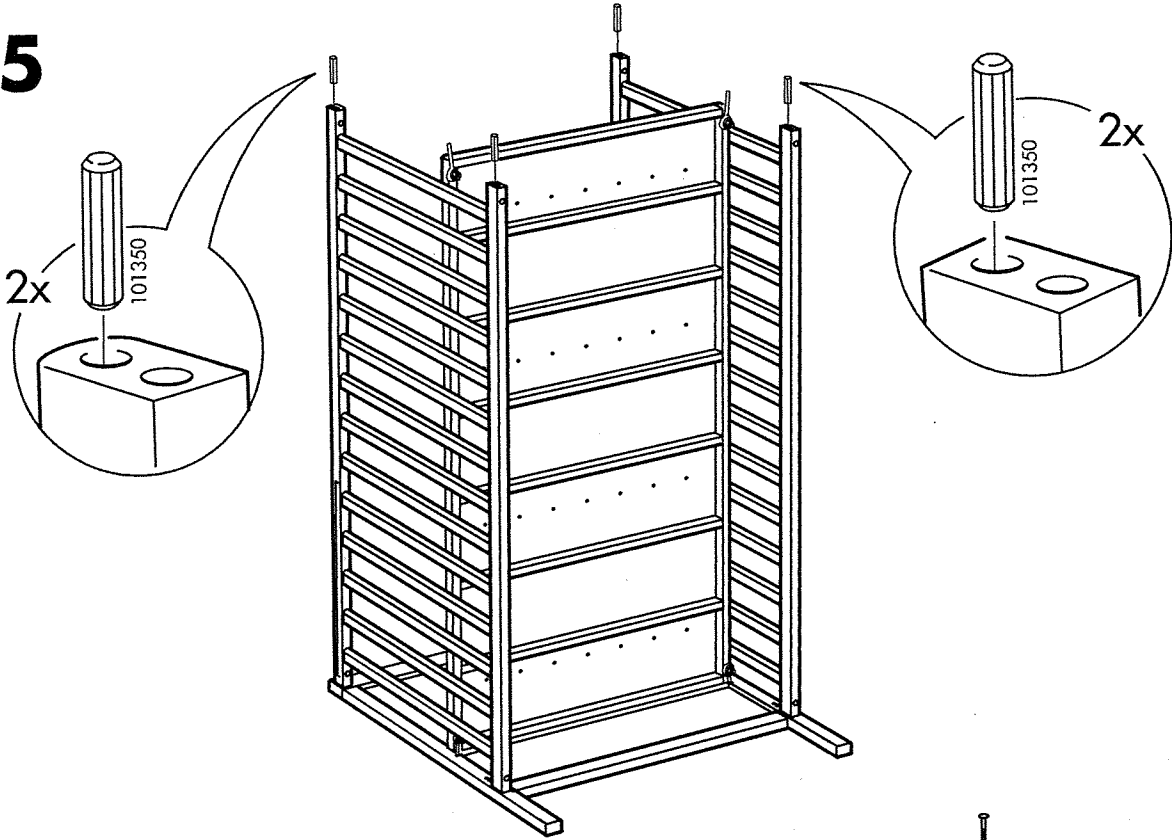
3



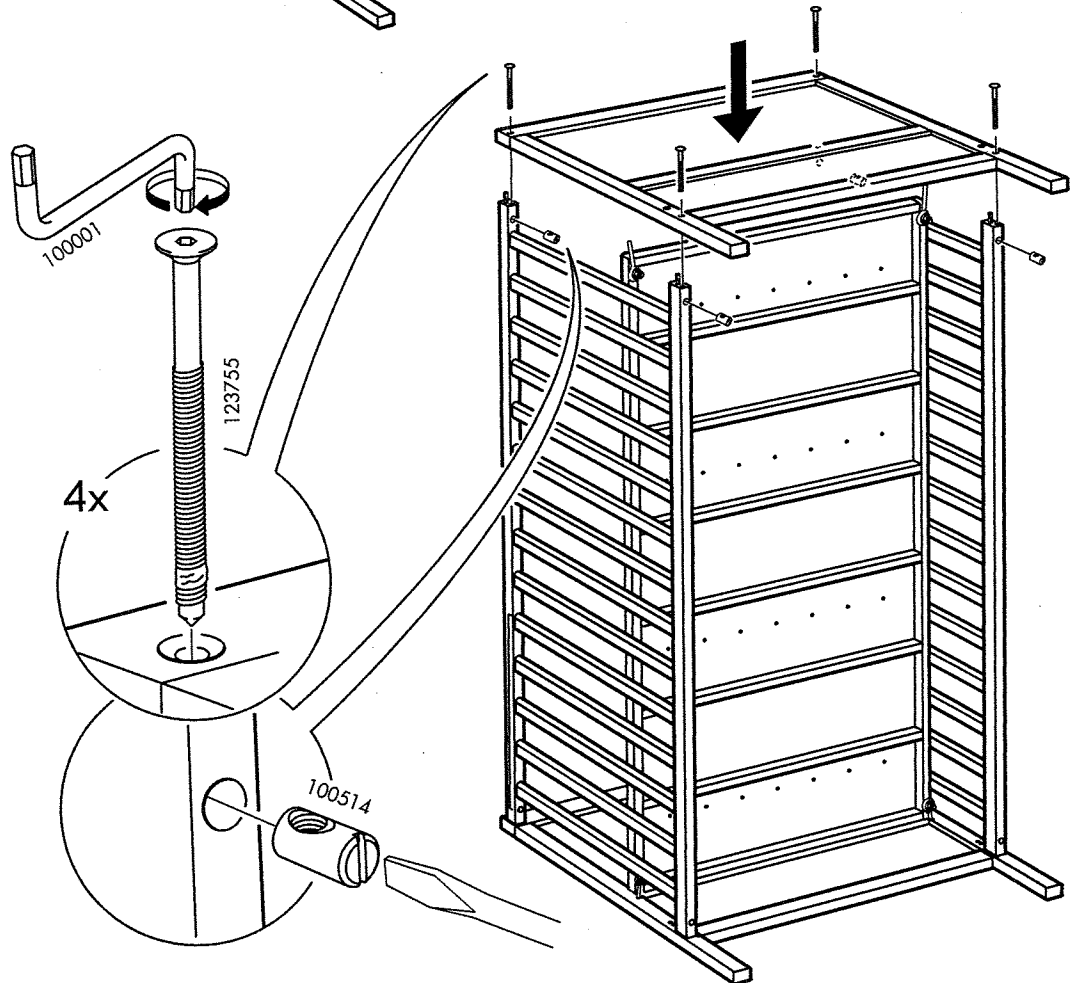
4



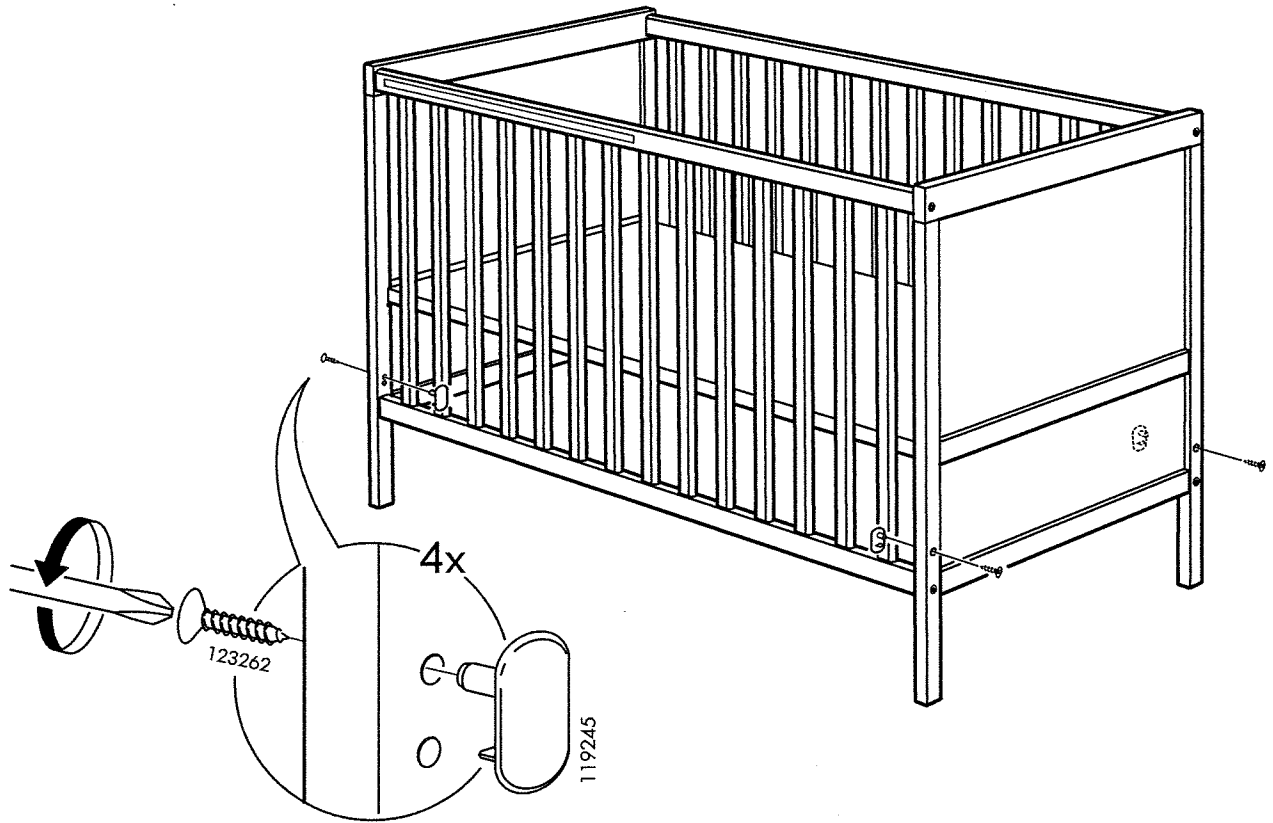
5



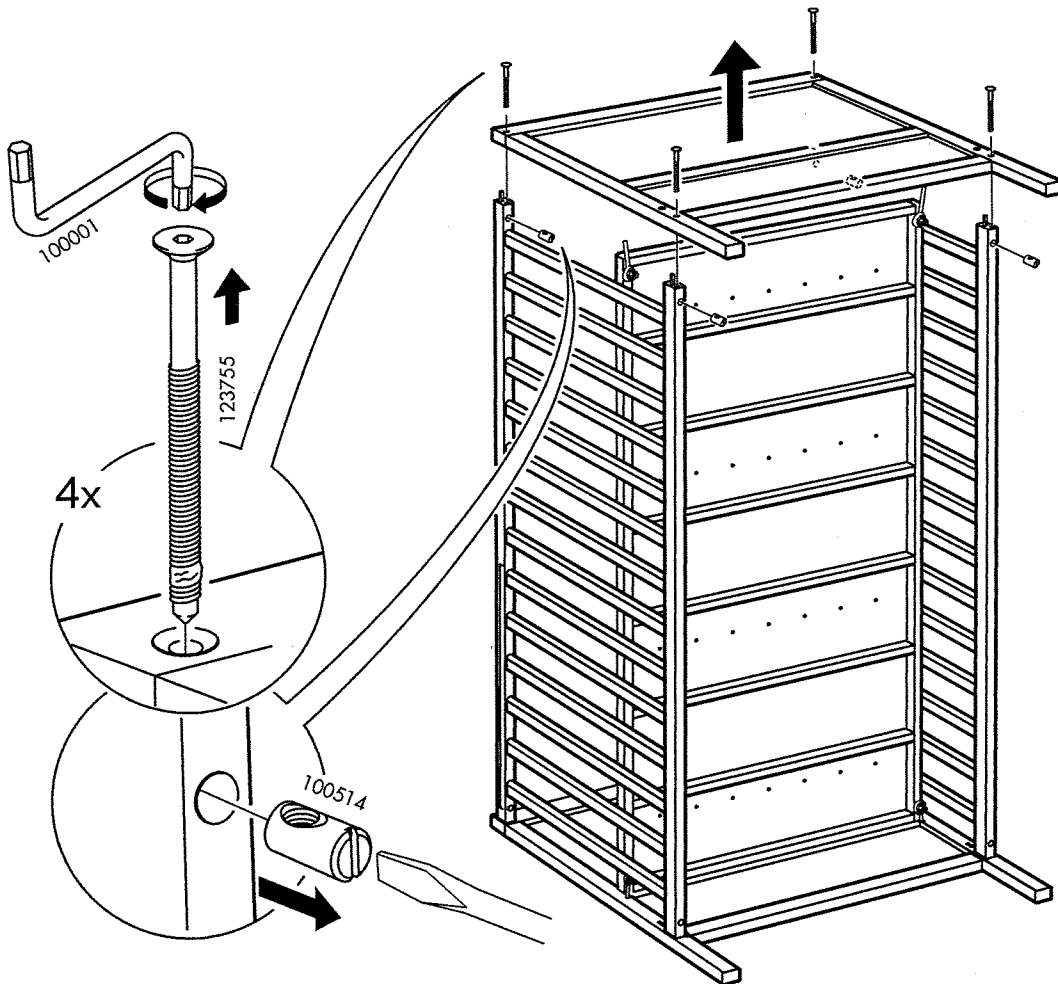
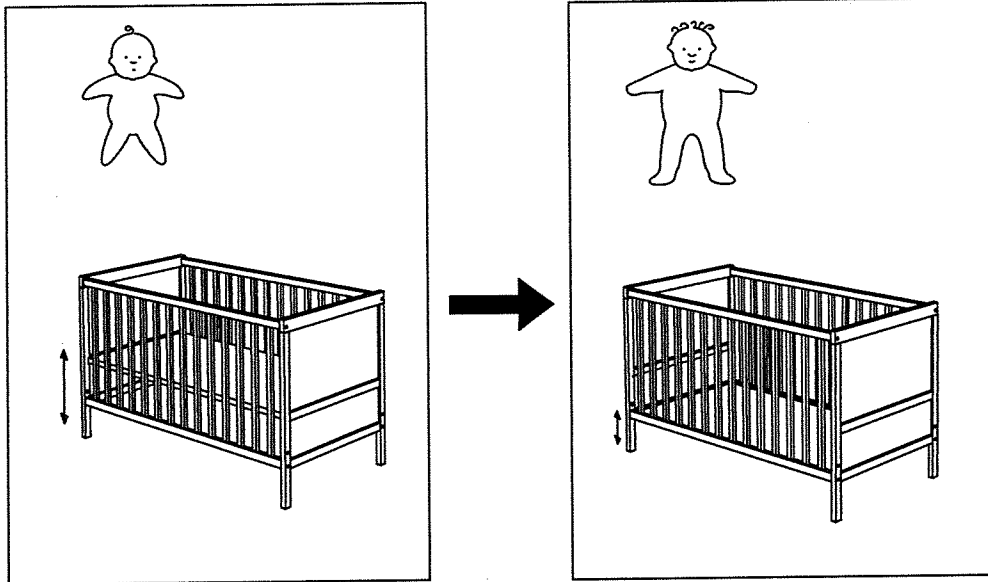
6



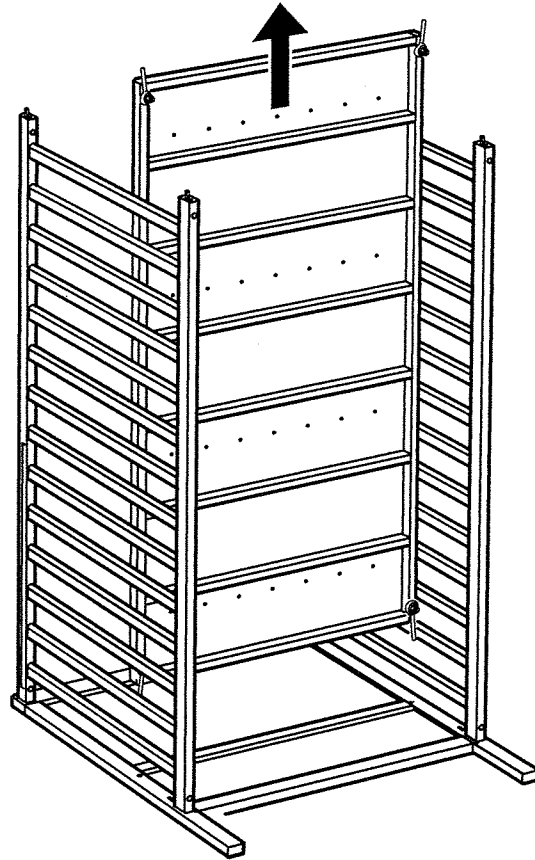
7



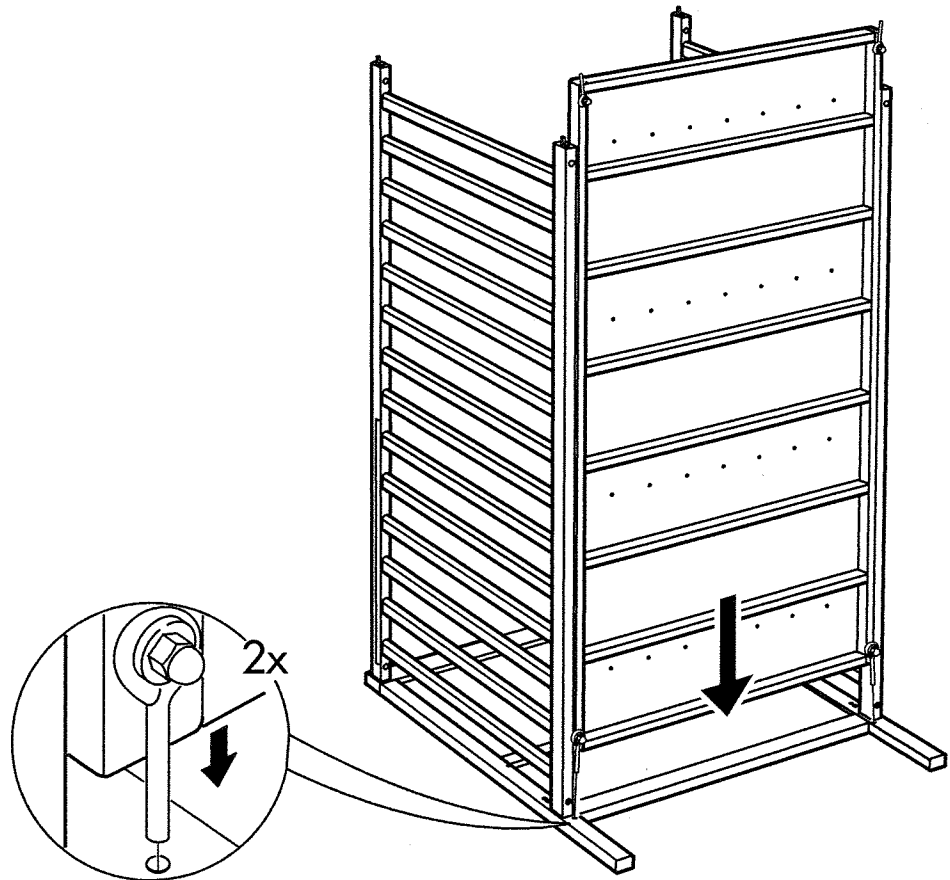
1



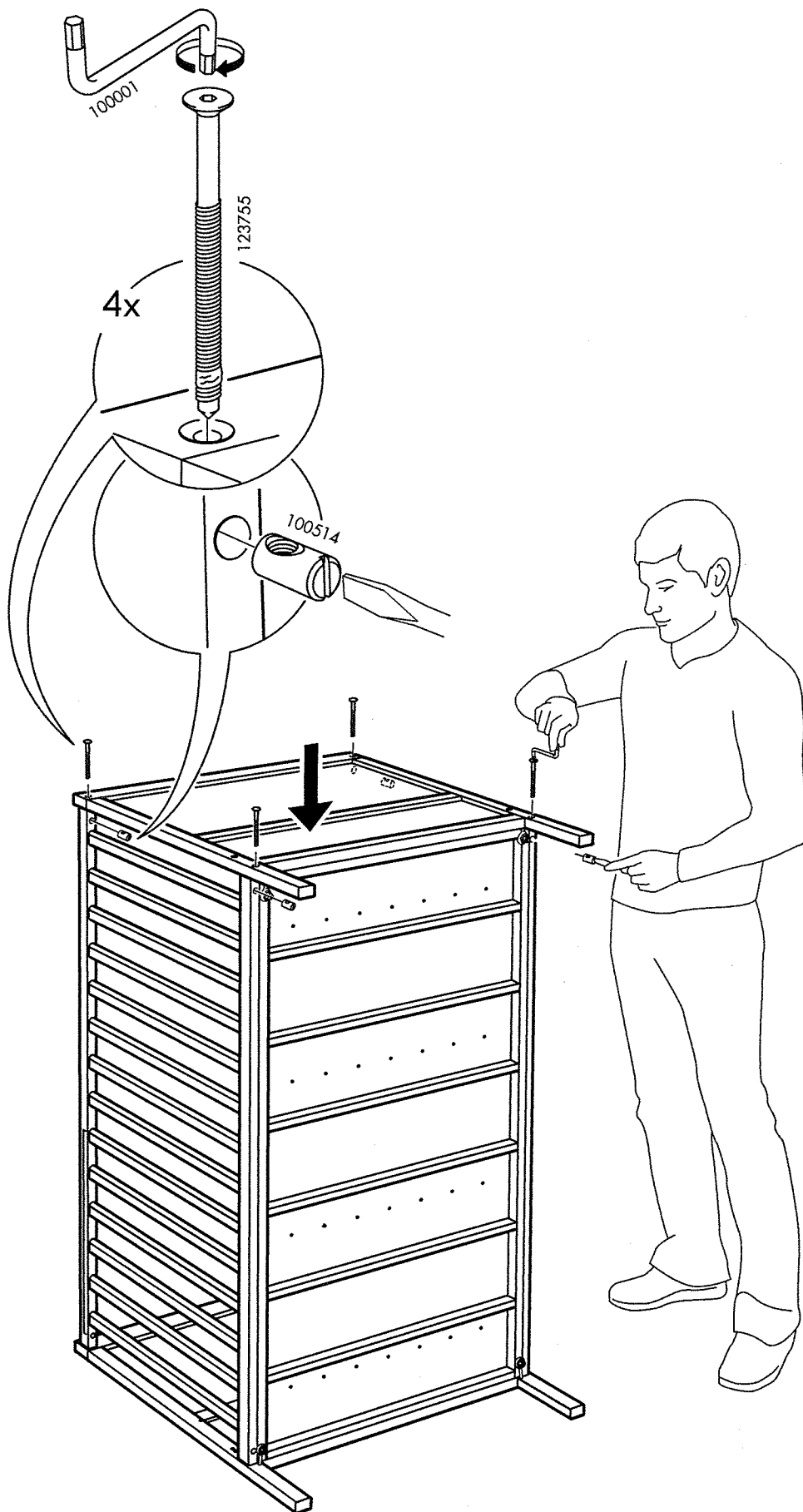
2



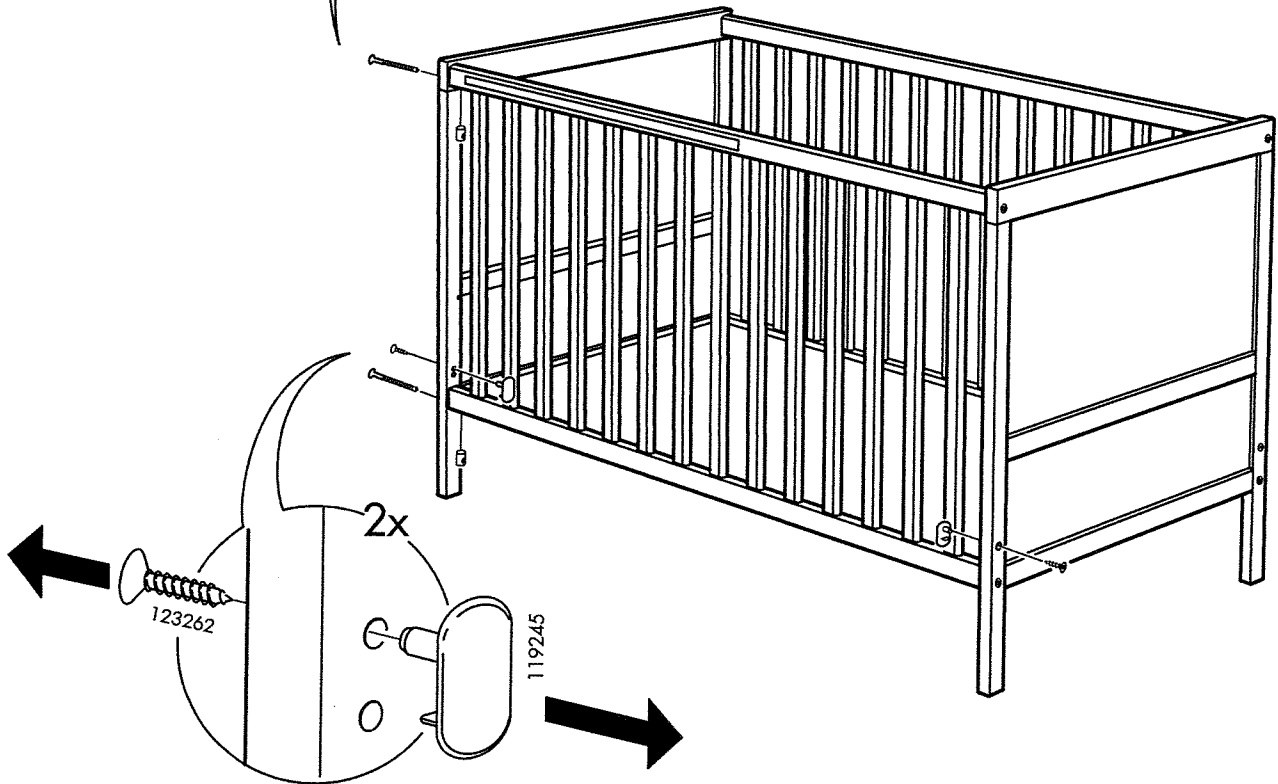
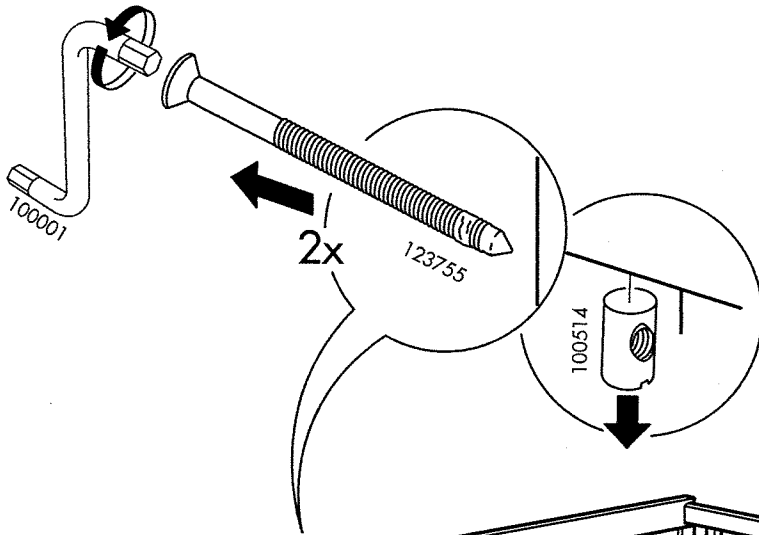
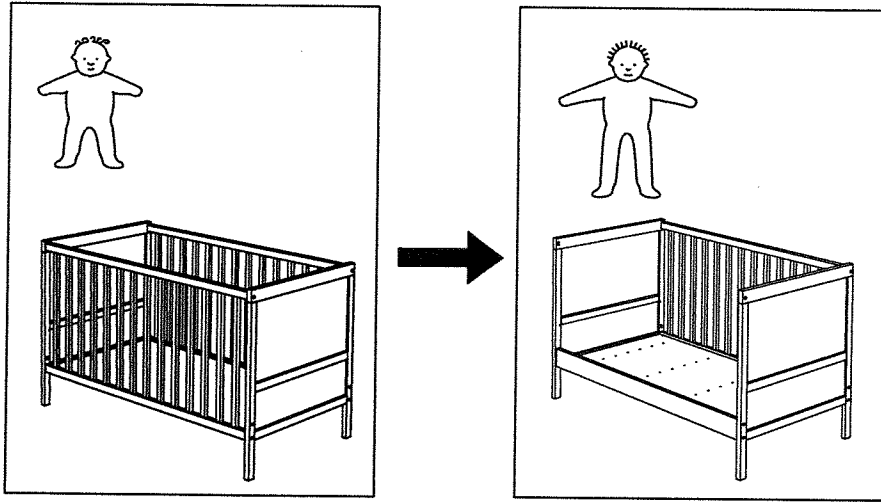
3



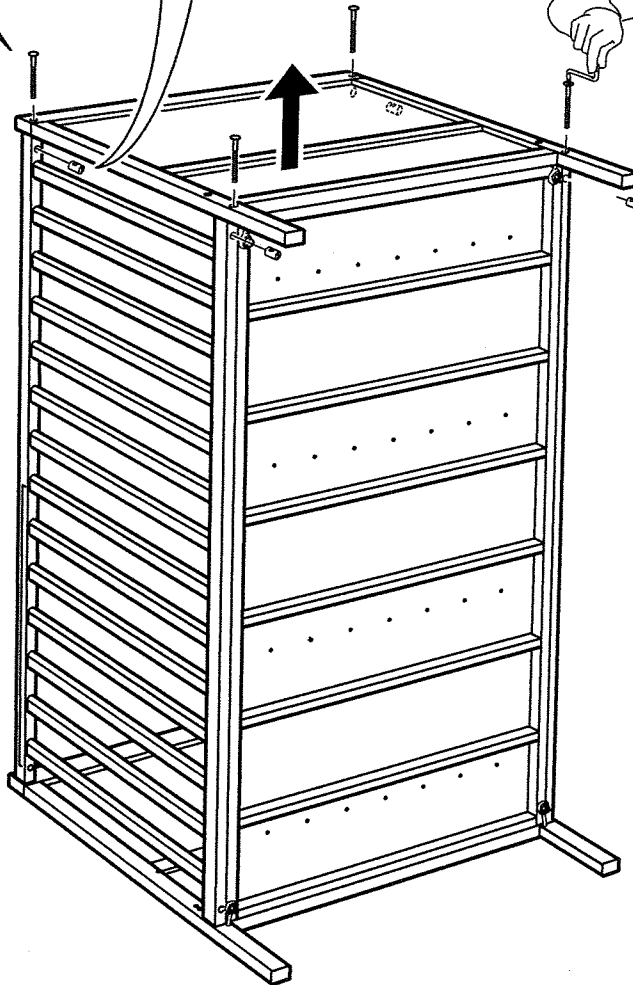
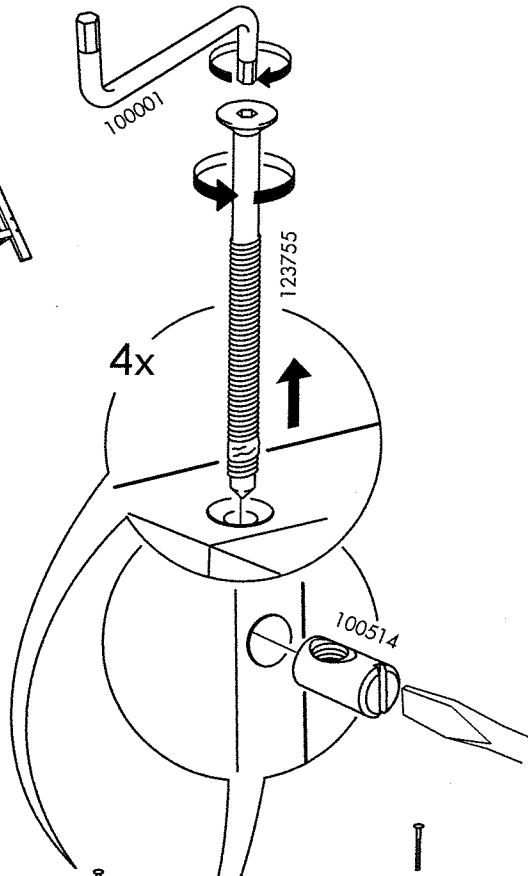
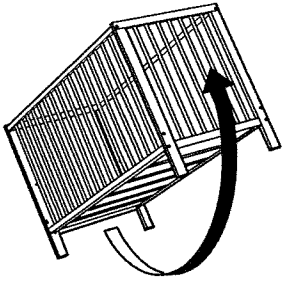
4



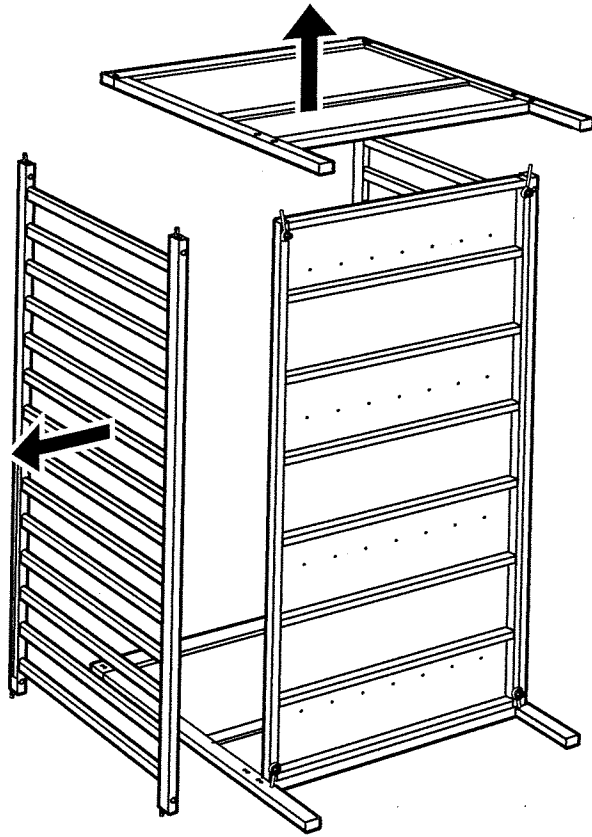
1



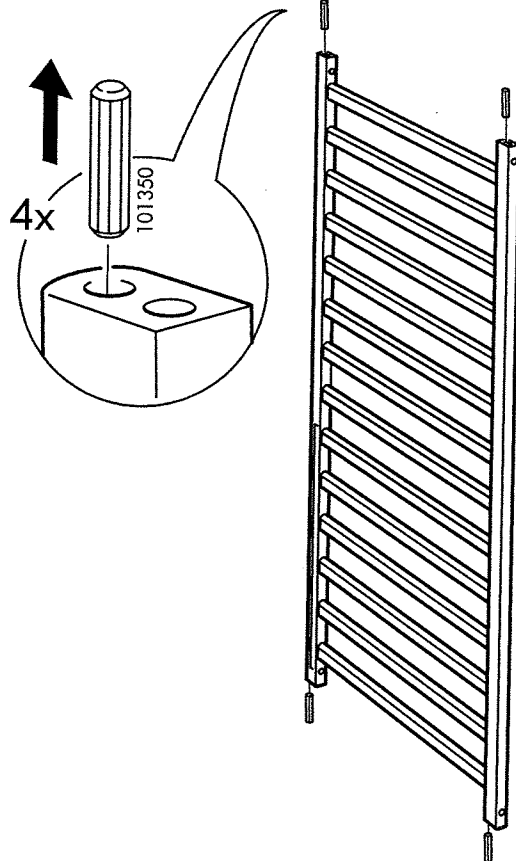
2



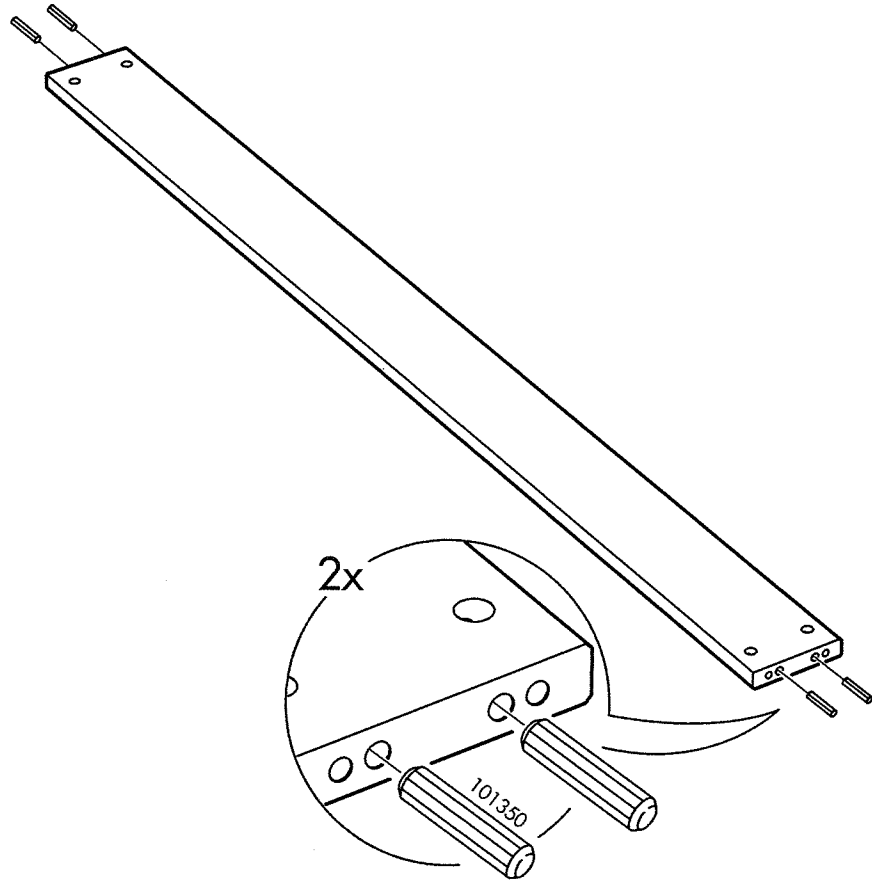
3



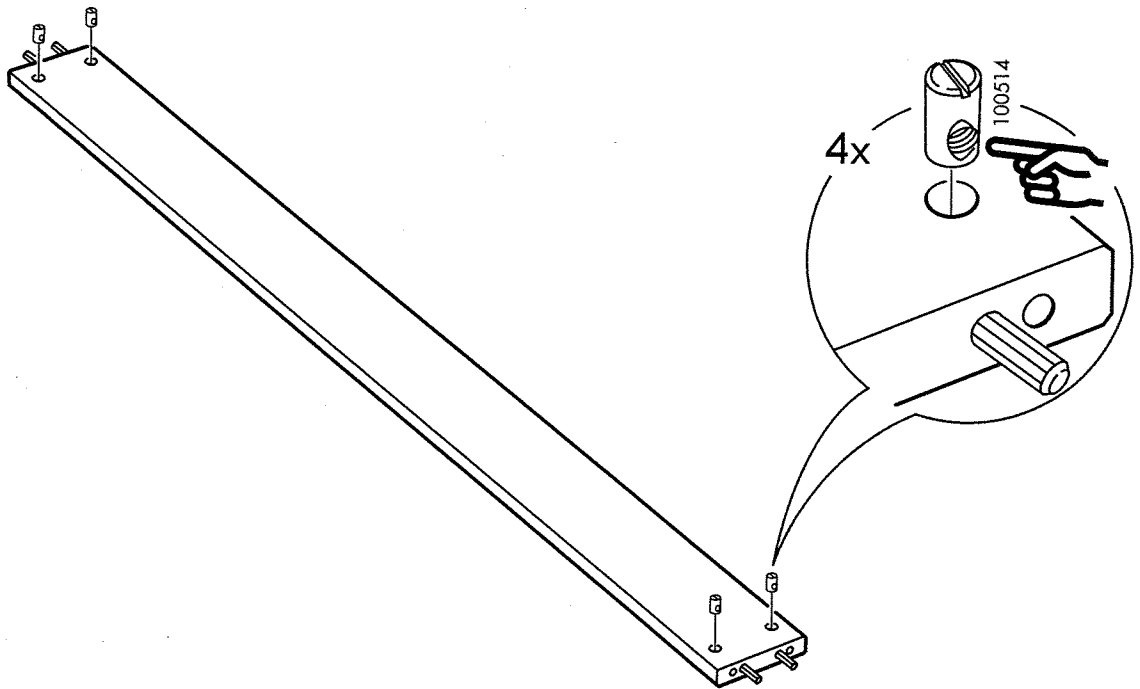
4



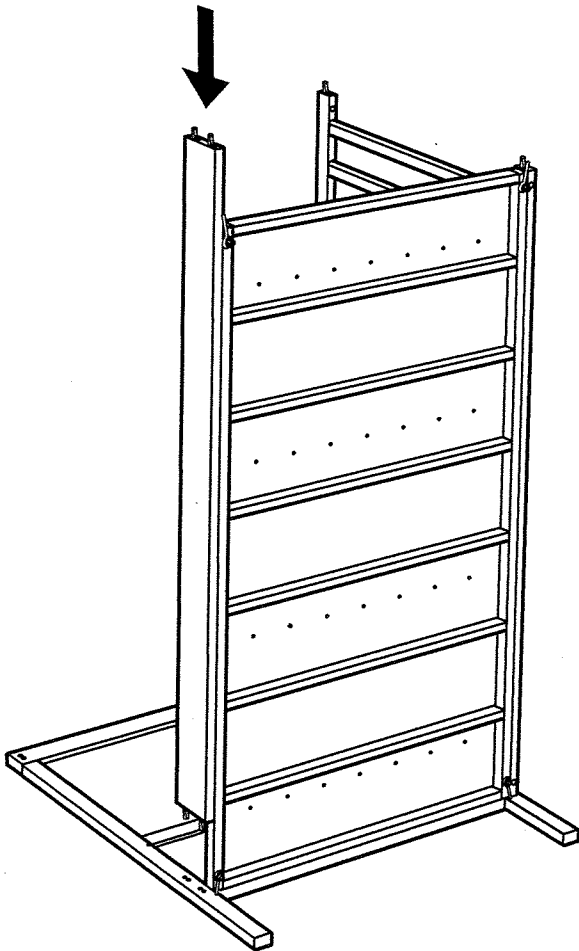
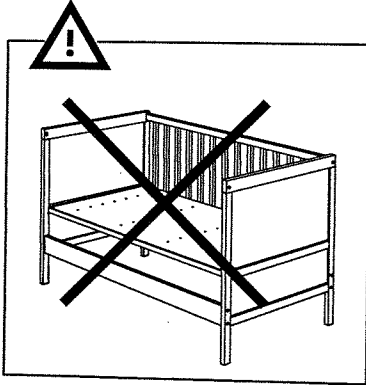
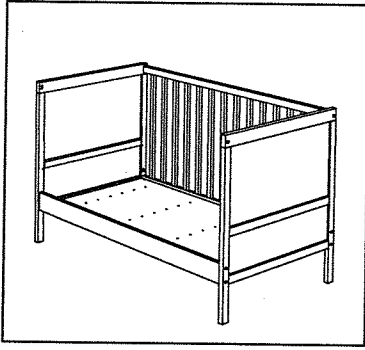
5



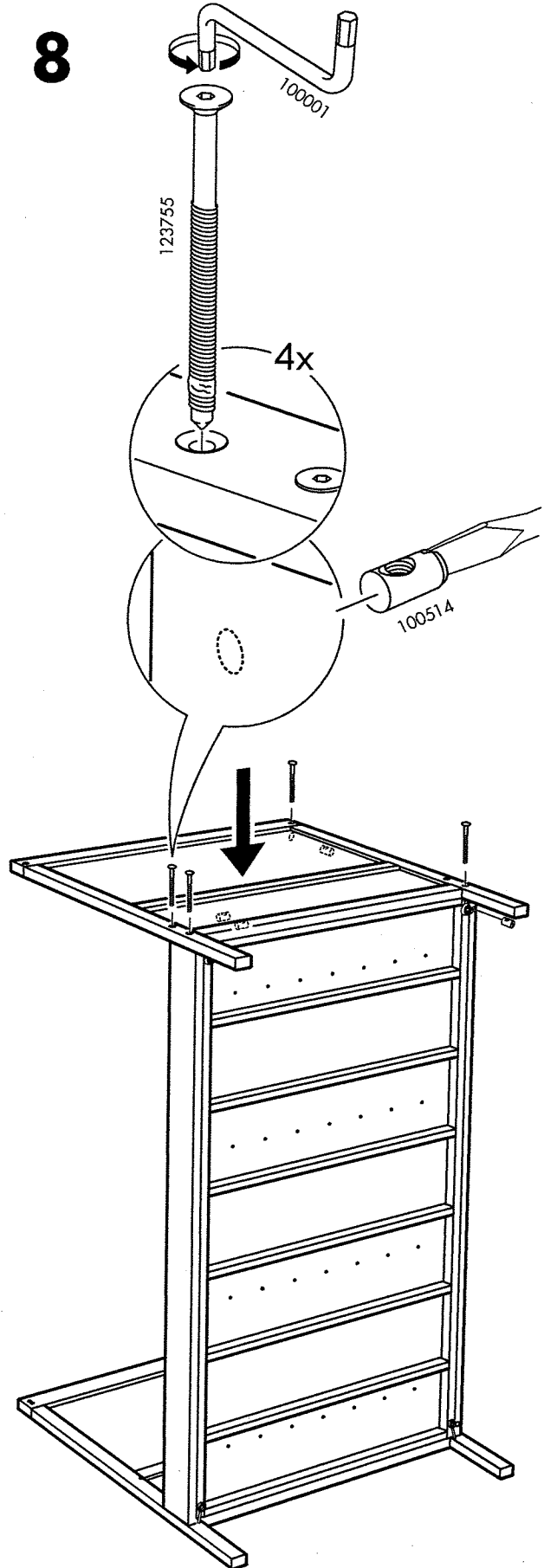
6



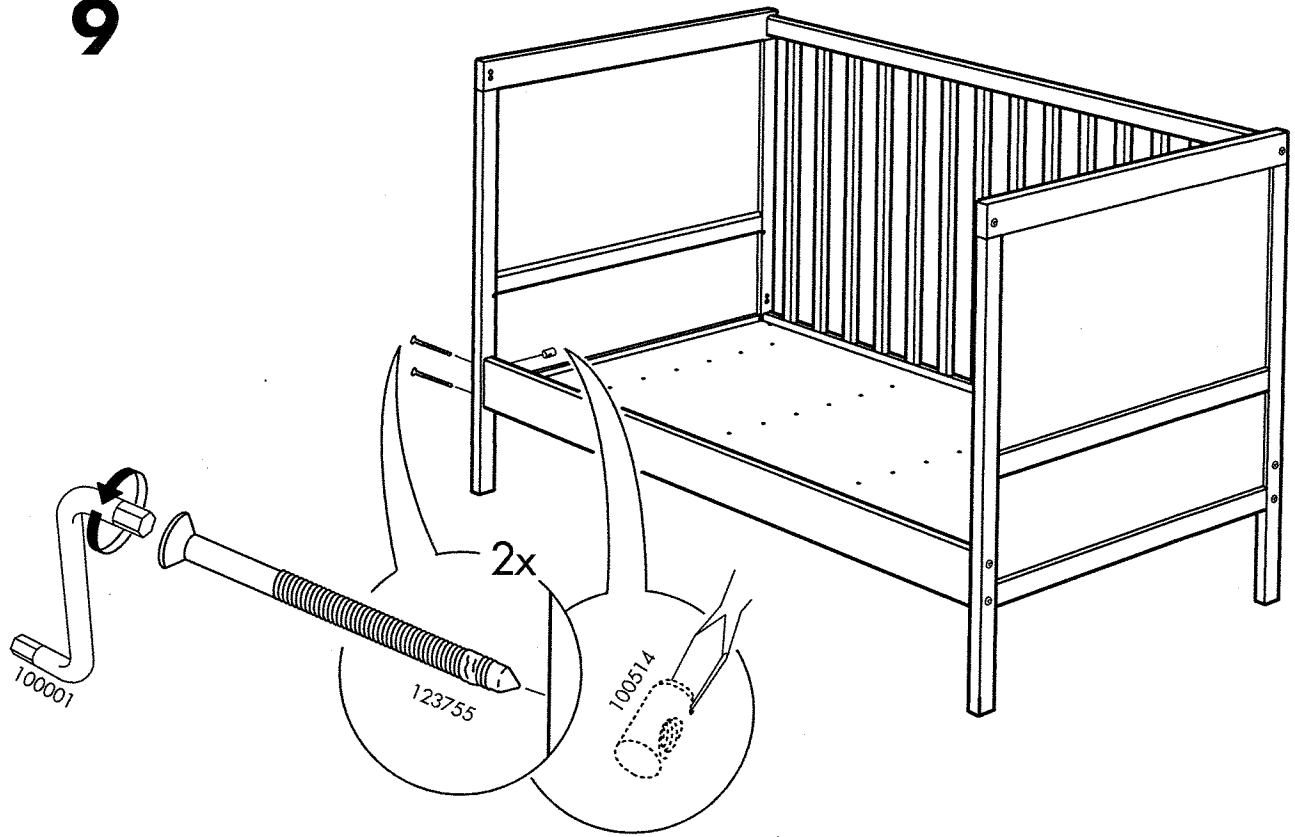
7



8



9



10

